

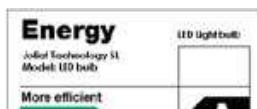
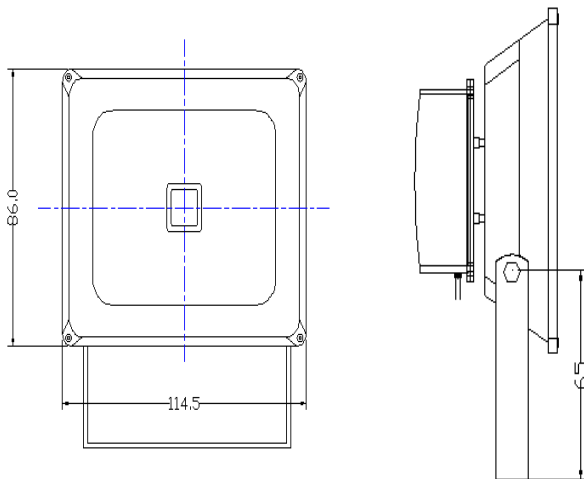


1 RUE SAINTE ANNE 94130 Nogent SUR MARNE

TEL: 0148115857 FAX:0148115805

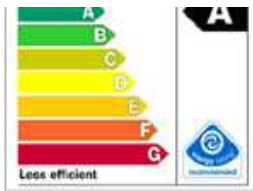
E-mail : Eric.delsignore@free.fr Website: <http://www.ledeclairagepublic.com>

## LED Flood Light Quotation



ITEM NAME & NO.	EC-FL-001
<p>* LED Source: 1pc High Power 10Watt SMT LED Module</p> <p>* The power consumption is 10W.</p> <p>*The main material is Die Casting Aluminum.</p> <p>*5mm High Strengthen Clear Glass.</p> <p>*The voltage is 12VDC; 85V-260V AC.</p> <p>*Product dimension: Length:114.50mm Height:86.00mm</p> <p>*Lens Beam Angle Available: 30-45 Degree, 100-120 Degree</p> <p>*Luminous Flux (LM): CW 850-950 Lumen WW 800-900 Lumen</p> <p>*Colors Available: Cold White / Warm White / Red / Green / Blue /Yellow</p> <p>*Degree K: CW 6000-7000K WW 2800-3300K</p> <p>*3in 1 RGB Led version available (Luminous Flux is 500 lm only for 3 in 1 RGB)</p> <p>*Color Rendering: Ra &gt; 80</p> <p>*IP Degree: IP65</p> <p>*Equivalence: <b>Equal to 60Watt Metal Halide Lamp</b></p>	
<p><b>(12V DC)</b> <b>(85-260V AC)</b> <b>3 in 1 RGB LED (12V DC)</b></p>	





### 3 in 1 RGB LED (85-260V AC)

LED Lamp  
42CP



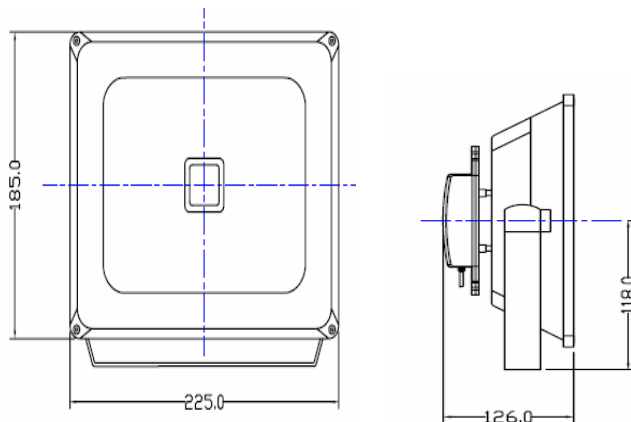
COMPLIANT



SP-FL-002 / SP-FL-003



EC-FL-002A / SP-FL-003A



ITEM NAME & NO.

EC-FL-002 / EC-FL-003; EC-FL-002A / EC-FL-003A

- \* The power consumption is 20W / 30Watt .
- \*The main material is Die Casting Aluminum.
- \*5mm High Strengthen Clear Glass.
- \*The voltage is 85V-260V AC.
- \*Product dimension: Length:225.00mm Height:185.00mm
- \*Lens Beam Angle Available: 60-80 Degree, 120-150 Degree
- \*Luminous Flux for SP-FL-002 / SP-FL-002A (LM): CW 1500-1600 Lumen  
WW 1450-1500 Lumen
- \*Luminous Flux for SP-FL-003 / SP-FL-003A (LM): CW 2300-2400 Lumen  
WW 2250-2300 Lumen
- \*Colors Available: Cold White / Warm White / Red / Green / Blue /Yellow
- \*Degree K: CW 6000-7000K  
WW 2800-3300K
- \*Color Rendering: Ra > 80
- \*IP Degree: IP65
- \*Equivalence: Equal to 100Watt Metal Halide Lamp

20Watt Type EC-FL-002  
30Watt Type EC FL-003

20Watt Type EC-FL-002A  
30Watt Type EC-FL-003A



ITEM NAME & NO.

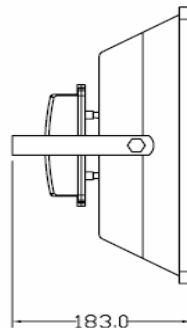
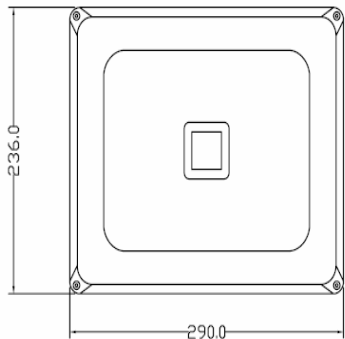
EC-FL-004 / EC-FL-005; EC-FL-004A / EC-FL-005A



EC-FL-004 / SP-FL-005



EC-FL-004A / SP-FL-005A

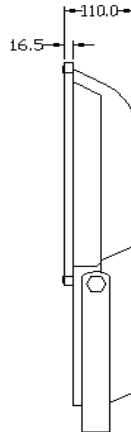
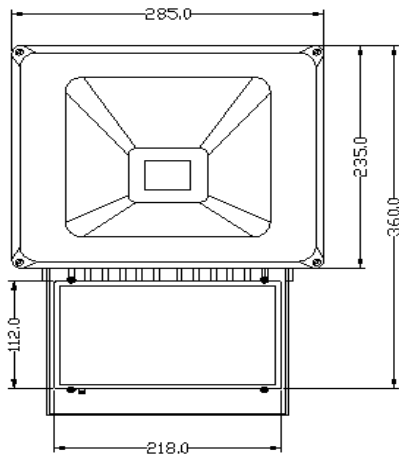
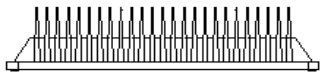


- \* The power consumption is 40W / 50Watt .
- \*The main material is Die Casting Aluminum.
- \*5mm High Strengthen Clear Glass.
- \*The voltage is 85V-260V AC.
- \*Product dimension: Length:290.00mm Height:236.00mm
- \*Lens Beam Angle Available: 60-80 Degree, 120-150 Degree
- \*Luminous Flux for SP-FL-004 / SP-FL-004A (LM): CW 3100-3200 Lumen  
WW 3000-3100 Lumen
- \*Luminous Flux for SP-FL-005 / SP-FL-005A(LM): CW 3900-4000 Lumen  
WW 3800-3900 Lumen
- \*Colors Available: Cold White / Warm White / Red / Green / Blue /Yellow
- \*Degree K: CW 6000-7000K  
WW 2800-3300K
- \*Color Rendering: Ra > 80
- \*IP Degree: IP65
- \*Equivalence: Equal to 200Watt Metal Halide Lamp

40Watt Type EC-FL-004  
50Watt Type EC-FL-005

40Watt Type EC-FL-004A  
50Watt Type EC-FL-005A





**ITEM NAME & NO.**

**EC-FL-006 / EC-FL-007 / EC-FL-008**

- \* The power consumption is 60W / 80W / 100Watt .
- \*The main material is Die Casting Aluminum.
- \*5mm High Strengthen Clear Glass.
- \*The voltage is 85V-260V AC.
- \*Product dimension: Length:285.00mm Height:360.00mm
- \*Lens Beam Angle Available: 120-150 Degree
- \*Luminous Flux for SP-FL-006 (LM): CW 5800-6000 Lumen  
WW 5700-5800 Lumen
- \*Luminous Flux for SP-FL-007 (LM): CW 7200-7400 Lumen  
WW 7000-7200 Lumen
- \*Luminous Flux for SP-FL-008 (LM): CW 8600-9000 Lumen  
WW 8400-8800 Lumen
- \*Colors Available: Cold White / Warm White / Red / Green / Blue /Yellow
- \*Degree K: CW 6000-7000K  
WW 2800-3300K
- \*Color Rendering: Ra > 80
- \*IP Degree: IP65
- \*Equivalence: Equal to 400Watt Metal Halide Lamp

**60Watt Type EC-FL-006**  
**80Watt Type EC-FL-007**



