

# LED T8 Fluorescent

— LT-T8-AP high performance series

**Recommend product**

## General

LED Fluorescent tube manufacturer we developed the first generation LED fluorescent tube in 2006, we developed several generation LED fluorescent tube till now to meet different market requirement. LED fluorescent tube is still a new product to many customer now. There are many factors to affect the quality of the LED fluorescent. The detail information of how to choose LED fluorescent tube, please check our relative article in our website.

## Features

LT-T8-AP Fluorescent tube series is energy saving and long life lighting product developed and produced by LEDTEKING, available in standard length and color temperature. Made of SMD LEDs with aluminium body. It features long lifespan, energy efficiency and environmentally friendliness.

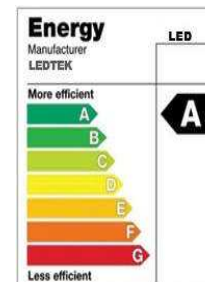
## Why recommend

Using 3528 SMD LED -- Low light attenuation than DIP LED  
The heat dissipation ability of 3528 SMD LED is better than DIP LED

Using aluminium body to improve the heat dissipation ability  
The cover is specially designed to reduce the glaring of the LED



**LED T8 Fluorescent Tube**



**RoHS**

## Benefits

- 1) Solid-state, high shock / vibration resistant
- 2) Major reduction in power costs
- 3) No RF interference, No buzzing noise
- 4) No fluorescent flickering
- 5) No hazard of mercury or lead entering the environment
- 6) No danger of broken glass
- 7) No threat of high-voltage electrocution
- 8) Maintenance free, easy installation
- 9) Long lifetime
- 10) Low power consumption, high intensity

## Applications

Replacement for conventional fluorescent tubes

Basic Specifications	Light Source	3528 SMD LED
	Color Temperature	Daylight (7000K-6000K) CoolWhite (4500K-4000K) WarmWhite (3500K-3000K)
	LifeSpan	30,000Hours *
	Shell	Aluminium body / PC shell
Operating Environment	Working Temperature	-4°F to 122°F (-20°C to 50°C)
Basic Electrical Specifications	Input Voltage	AC110V / AC220V
	LED drive mode	Constant Current Mode
	PF	>0.85
Optical Specifications	View Angle	120 degree
	Luminous Flux	4-5 lm/LED (current =20mA)

\*  $T_c=25^{\circ}C$  Note : LED's life may be affected by various factors



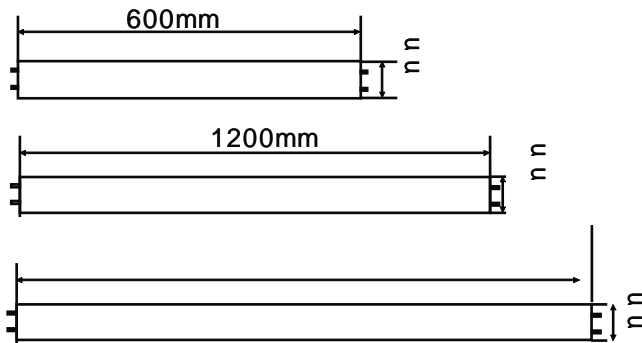
LT-T8-AP series

CE RoHS

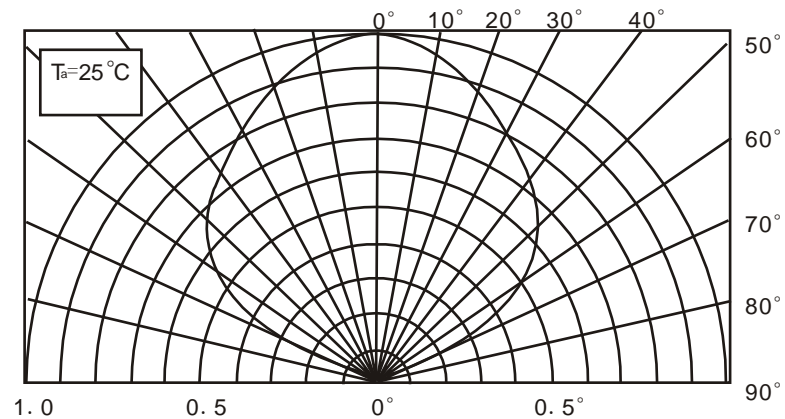
Specification table

Part No .	Color Temperature	LEDs	Lumen	Tube Size	Wattage	Voltage
LT-T8-AP9W-DW	DayLight (7000k-6000k)	144Pcs LED	650lm	2Feet / 600mmX26mm	9W ± 1W	AC220V / AC110V
LT-T8-AP9W-CW	CoolWhite (4500k-4000k)					
LT-T8-AP9W-WW	WarmWhite (3500k-3000k)					
LT-T8-AP18W-DW	DayLight (7000k-6000k)	288Pcs LED	1300lm	4Feet / 1200mmX26mm	18W ± 1W	AC220V / AC110V
LT-T8-AP18W-CW	CoolWhite (4500k-4000k)					
LT-T8-AP18W-WW	WarmWhite (3500k-3000k)					
LT-T8-AP22W-DW	DayLight (7000k-6000k)	360Pcs LED	1650lm	5Feet / 1500mmX26mm	22W ± 1W	AC220V / AC110V
LT-T8-AP22W-CW	CoolWhite (4500k-4000k)					
LT-T8-AP22W-WW	WarmWhite (3500k-3000k)					

Physical Dimension



Candle Power Distribution Curve



Installation Illustration

Remove ballast and starter before replacement

